

RFID MODULE

Mifare Read/Write Module

CM018

User Manual

Version 1.4

Sep 2007

ChenMingCard

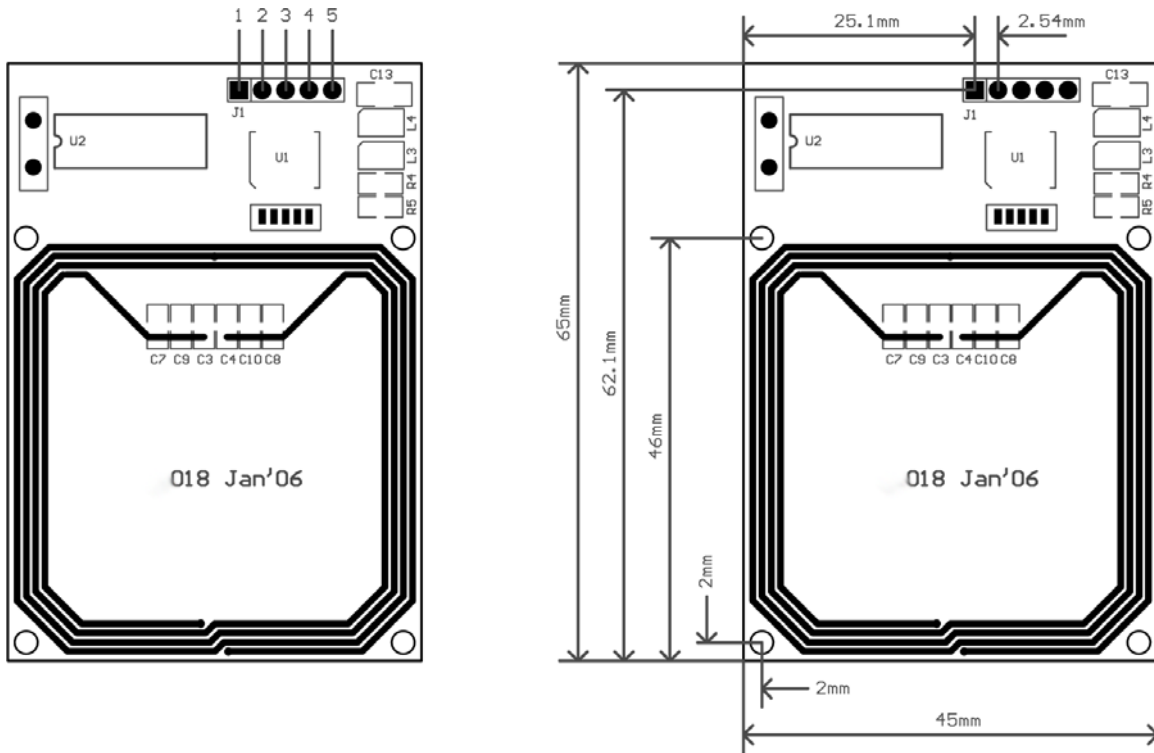
CONTENT

1. MAIN FEATURES	3
2. PINNING INFORMATION	4
3. DEVICE OPERATION.....	5
3-1. CLOCK AND DATA TRANSITIONS.....	5
3-2. START CONDITION	5
3-3. STOP CONDITION	5
3-4. ACKNOWLEDGE	5
3-5. BUSY STATE	6
3-6. DEVICE ADDRESSING	6
3-7. WRITE OPERATIONS.....	6
3-8. READ OPERATIONS	6
4. COMMAND DESCRIPTION.....	7
4-1. FORMAT	7
4-2. COMMAND OVERVIEW	8
4-3. COMMAND LIST	9
4-3-1. Select Mifare card	9
4-3-2. Login to a sector.....	9
4-3-3. Read a data block	9
4-3-4. Write a data block	10
4-3-5. Read a value block	10
4-3-6. Initialize a value block	10
4-3-7. Write master key (KeyA).....	11
4-3-8. Increment value	11
4-3-9. Decrement value.....	11
4-3-10. Copy value.....	12
4-3-11. Read a data page (UltraLight)	12
4-3-12. Write a data Page (UltraLight).....	12
4-3-13. Control Red Led	13
4-3-14. Reset	13

1. MAIN FEATURES

- Tag supported: Mifare 1K, Mifare 4K, Mifare UltraLight
- Auto detecting tag
- Built-in antenna
- 0 to 400 KHz bit-wide I²C-bus communication
- DC4.5V to DC6.0V VDD operating
- Operating distance: Up to 60 mm, depending on tag
- Storage temperature: -40 °C ~ +85 °C
- Operating temperature: -20 °C ~ +70 °C
- Dimension: 65 × 45 × 7 mm
- The TagSta pin is low level indicating tag in, and high level indicating tag out

2. PINNING INFORMATION



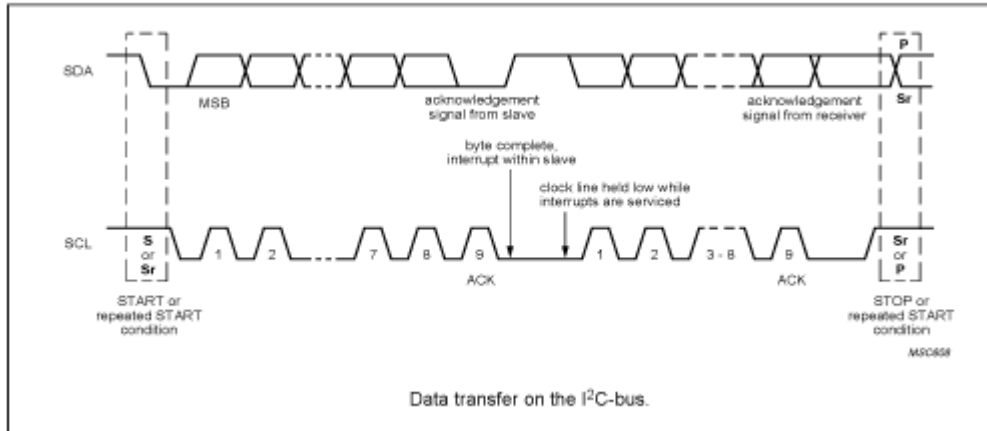
HOLE Dia. = 2.5mm, x 4

PIN	SYMBOL	TYPE	DESCRIPTION
1	TagSta	Output	Tag detect signal low level indicating tag in high level indicating tag out
2	SDA	Input/Output	Serial Data Line
3	SLC	Input	Serial Clock Line
4	VCC	PWR	Power Supply
5	GND	PWR	Ground

3. DEVICE OPERATION

3-1. CLOCK AND DATA TRANSITIONS:

The SDA pin is normally pulled high with an external device. Data on the SDA pin may change only during SCL low time periods. Data changes during SCL high periods will indicate a start or stop condition as defined below.

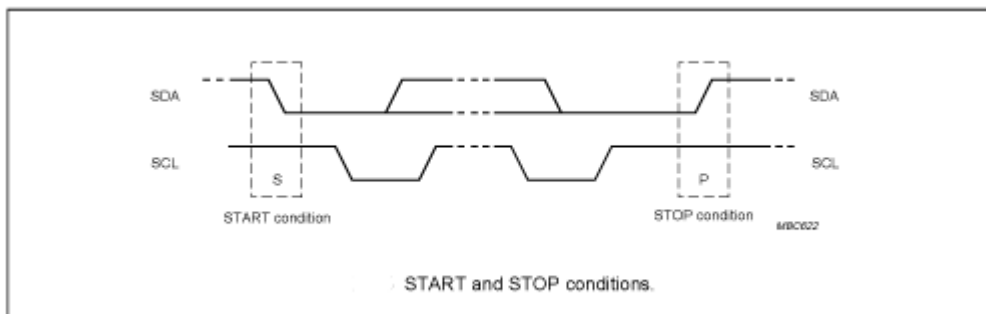


3-2. START CONDITION

A high-to-low transition of SDA with SCL high is a start condition which must precede any other command

3-3. STOP CONDITION

A low-to-high transition of SDA with SCL high is a stop condition.

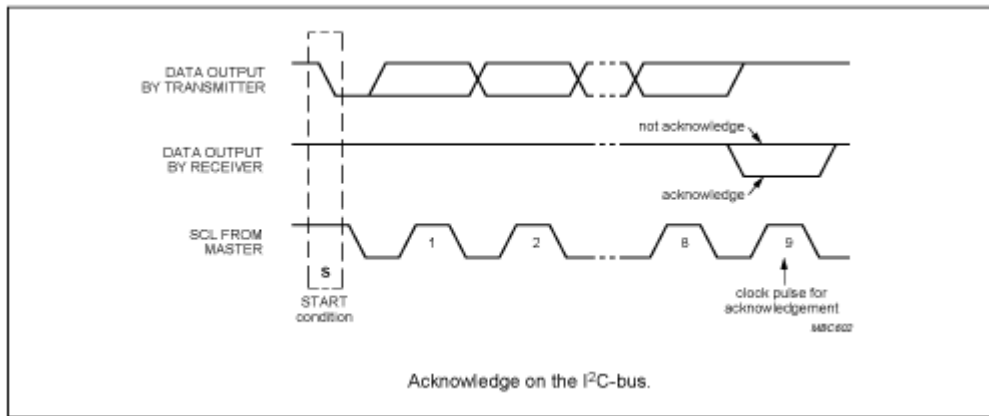


3-4. ACKNOWLEDGE

All addresses and data words are serially transmitted to and from the CM018 in 8-bit words. The CM018 sends a zero to acknowledge that it is not busy, and has received each word. This happens during the ninth clock cycle.

3-5. BUSY STATE

When the CM018 has received command, then don't acknowledge IIC bus until ends with the card communication.



3-6. DEVICE ADDRESSING

The CM018 devices require an 8-bit device address word following a start condition to enable the chip for a read or write operation.

The device address word consists of 7 bits addressing and 1 bit operation select bit.

The first 7 bits are the CM018 addressing, is 1010000

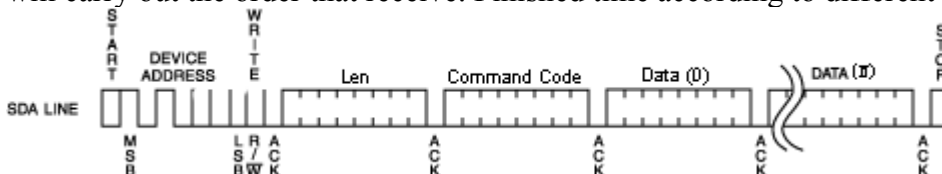
The eighth bit of the device address is the read/write operation select bit. A read operation is initiated if this bit is high and a write operation is initiated if this bit is low.



The first byte after the START procedure.

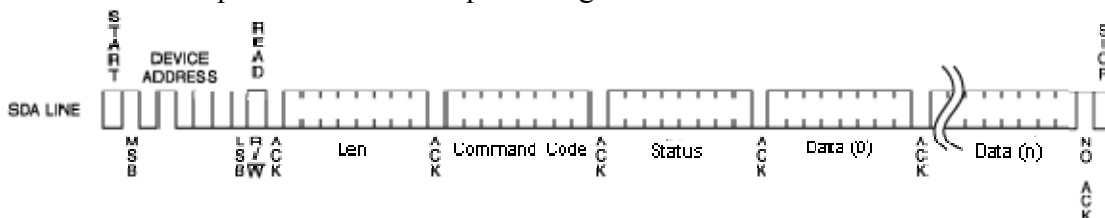
3-7. WRITE OPERATIONS

The host device send a command(refer chapter 4)to CM018 via write operation, then CM018 will carry out the order that receive. Finished time according to different order



3-8. READ OPERATIONS

The host device passes to read the operation gets the order carries out the result



4. COMMAND DESCRIPTION

4-1. FORMAT

Host Write Command to EO 018:

Address	Len	Command	Data
---------	-----	---------	------

Address: 1 byte, 0xA0

Len: Byte length counting from Command Code to the last byte of the data,
1 byte.

Command: Command Code, 1 byte.

Data: Data, variable length depends on the command type.

Host Read The Result:

Address	Len	Command	Status	Data
---------	-----	---------	--------	------

Address: 1 byte, 0xA1

Len: Byte length counting from Command Code to the last byte of the data,
1 byte.

Command: Command Code, 1 byte

Status: Command status, 1 byte

Data: Data, variable length depends on the command type.

4-2. COMMAND OVERVIEW

Command	Description
0x01	Select Mifare card
0x02	Login to a sector
0x03	Read a data block
0x04	Write a data block
0x05	Read a value block
0x06	Initialize a value block
0x07	Write master key (key A)
0x08	Increment value
0x09	Decrement value
0x0A	Copy value
0x10	Read a data page (ultra_light)
0x11	Write a data page (ultra_light)
0x40	Control the red led
0xFF	Reset

STATUS OVERVIEW

Status	Description
0x00	Operation success
0x01	No tag
0x02	Login success
0x03	Login fail
0x04	Read fail
0x05	Write fail
0x06	Unable to read after write
0x0A	Collision occur
0x0C	Load key fail
0x0D	Not authenticate
0x0E	Not a value block

4-3. COMMAND LIST

4-3-1. Select Mifare card

Host Write:

Len	0x01
-----	------

Host Read:

Len	0x01	Status	Serial num	Type
-----	------	--------	------------	------

Status: 0x00: Operation success

0x01: No tag

0x0A: Collision occur

Serial num: Serial number of the card detected if the operation is success, 4 bytes for Mifare Standard & Mifare Pro(X), 7 bytes for Mifare UltraLight & Mifare DesFire

Type: 0x01: Mifare Standard 1K card

0x02: Mifare Pro card

0x03: Mifare UltraLight card

0x04: Mifare Standard 4K card

0x05: Mifare ProX card

0x06: Mifare DesFire card

4-3-2. Login to a sector

Host Write:

Len	0x02	Sector	Type	Key
-----	------	--------	------	-----

Sector: Sector need to login

Type: Key type (0xAA: authenticate with KeyA, 0xBB: authenticate with KeyB)

Key: Authenticate key, 6 bytes

Host Read:

Len	0x02	Status
-----	------	--------

Status: 0x02: Login success

0x01: No tag

0x03: Login fail

0x0C: Load key fail

4-3-3. Read a data block

Host Write:

Len	0x03	Block
-----	------	-------

Block: The block number to be read, 1 byte

Host Read:

Len	0x03	Status	Data
-----	------	--------	------

Status: 0x00: Operation success

0x04: Read fail

0x0D: Not authenticate

0x01: No tag

Data: Block data returned if operation is success, 16 bytes.

4-3-4. Write a data block**Host Write:**

Len	0x04	Block	Data
-----	------	-------	------

Block: The block number to be written, 1 byte.

Data: The data to write, 16 bytes.

Host Read:

Len	0x04	Status	Data
-----	------	--------	------

Status: 0x00: Operation success

0x01: No tag

0x05: Write fail

0x06: Unable to read after write

0x07: Read after write error

0x0D: Not authenticate

Data: Block data written if operation is success, 16 bytes.

4-3-5. Read a value block**Host Write:**

Len	0x05	Block
-----	------	-------

Block: The block number to be read, 1 byte.

Host Read:

Len	0x05	Status	Value
-----	------	--------	-------

Status: 0x00: Operation success

0x01: No tag

0x04: Read fail

0x0D: Not authenticate

0x0E: Not a value block

Value: Value returned if the operation is success, 4 bytes.

4-3-6. Initialize a value block**Host Write:**

Len	0x06	Block	Value
-----	------	-------	-------

Block: The block number to be initialized, 1 byte.

Value: The value to be written, 4 bytes.

Host Read:

Len	0x06	Status	Value
-----	------	--------	-------

Status: 0x00: Operation success

0x01: No tag

0x05: Write fail

0x06: Unable to read after write

0x07: Read after write error

0x0D: Not authenticate

Value: Value written if the operation is success, 4 bytes.

4-3-7. Write master key (KeyA)**Host Write:**

Len	0x07	Sector	Key
-----	------	--------	-----

Sector: The sector number to be written, 1 byte.

Key: Authentication key, 6 bytes

Host Read:

Len	0x07	Status	Key
-----	------	--------	-----

Status: 0x00: Operation success

0x01: No tag

0x05: Write fail

0x0D: Not authenticate

Key: Authentication key written if the operation is success, 6 bytes.

4-3-8. Increment value**Host Write:**

Len	0x08	Block	Value
-----	------	-------	-------

Block: The block number to be increased, 1 byte.

Value: The value to be increased by, 4 bytes.

Host Read:

Len	0x08	Status	Value
-----	------	--------	-------

Status: 0x00: Operation success

0x01: No tag

0x05: Write fail

0x06: Unable to read after write

0x0D: Not authenticate

0x0E: Not a value block

Value: The value after increment if the operation is success, 4 bytes

4-3-9. Decrement value**Host Write:**

Len	0x09	Block	Value
-----	------	-------	-------

Block: The block number to be decreased, 1 byte

Value: The value to be decreased by, 4 bytes

Host Read:

Len	0x09	Status	Value
-----	------	--------	-------

Status: 0x00: Operation success

0x01: No tag

0x05: Write fail

0x06: Unable to read after write

0x0D: Not authenticate

0x0E: Not a value block

Value: The value after decrement if the operation is success, 4 bytes

4-3-10. Copy value**Host Write:**

Len	0x0A	Source	Destination
-----	------	--------	-------------

Source: The source block copy from, 1 byte

Destination: The destination copy to, 1 byte

The source and destination must in the same sector

Host Read:

Len	0x0A	Status	Value
-----	------	--------	-------

Status: 0x00: Operation success

0x01: No tag

0x05: Write fail

0x06: Unable to read after write

0x0D: Not authenticate

0x0E: Not a value block (Source)

Value: The value after copy if the operation is success, 4 bytes

4-3-11. Read a data page (UltraLight)**Host Write:**

Len	0x10	Page
-----	------	------

Page: The page number to be read, 1 byte

Host Read:

Len	0x10	Status	Data
-----	------	--------	------

Status: 0x00: Operation success

0x01: No tag

0x04: Read fail

Data: Block data returned if operation is success, 4 bytes.

4-3-12. Write a data Page (UltraLight)**Host Write:**

Len	0x11	Page	Data
-----	------	------	------

Page: The page number to be written, 1 byte.

Data: The data to write, 4 bytes.

Host Read:

Len	0x11	Status	Data
-----	------	--------	------

Status: 0x00: Operation success

0x01: No tag

0x05: Write fail

0x06: Unable to read after write

0x07: Read after write error

Data: page data written if operation is success, 4 bytes.

4-3-13. Control Red Led**Host Write:**

Len	0x40	Code
-----	------	------

Code: 0 command red led turn off , other red led turn on, 1 byte

Host Read:

Len	0x40	Status
-----	------	--------

Status: 0x00: Operation success

4-3-14. Reset**Host Write:**

Len	0xFF
-----	------

No return